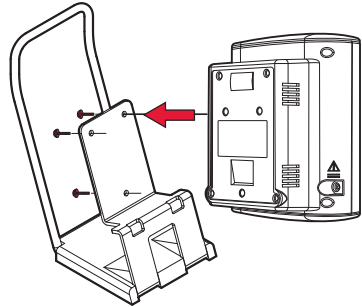


All SunTech 247 device configurations can be mounted in the following ways:

On a Tabletop

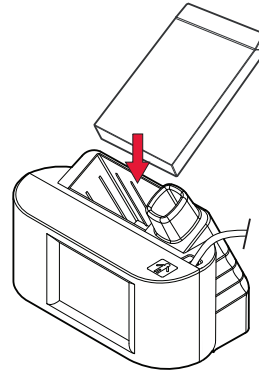
1a.



Using the thumb screws, secure the rear panel of the BP device to the stand.

Assembling the Temp Module for Use

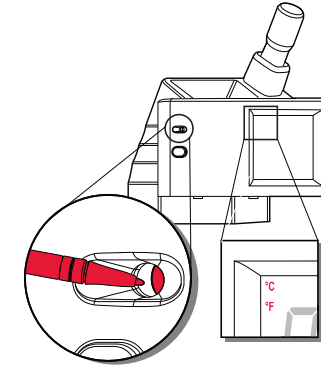
2



Place the probe cover box into the holder.

Changing the Unit of Temp Measurement

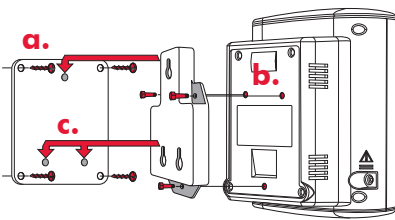
5



Using the end of a paper clip or similar tool, press the recessed button on the temp module. The icon for the selected unit is displayed.

On a Wall

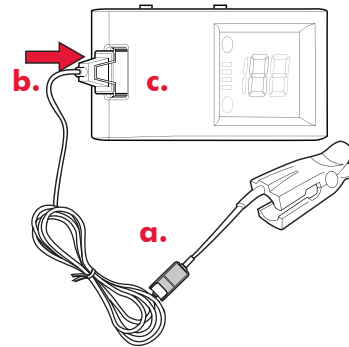
1b.



a. Attach the bracket to the wall using 4 wall screws, and the basket using 2 screws.
 b. Attach the wall bracket adapter to the rear panel of the BP device using the 3 screws.
 c. Position the adapter onto the rivets of the wall bracket and slide the device down until it locks into place.

Connecting the SpO₂ Sensor

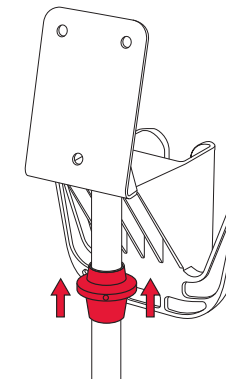
3



a. Connect the sensor to the extension cable.
 b. Flip the retention clip forward, then connect the cable to the device.
 c. Finally, push the clip backward over the SpO₂ connector to hold the connector in the device.

Adjusting the Height of the Mobile Stand

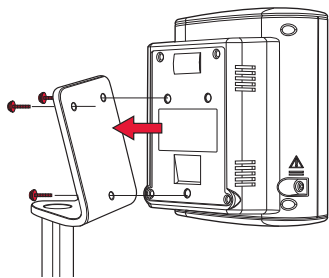
6



Use the one hand height adjustment on the mobile stand to adjust the height of the device on the pole. Grip the pole immediately below the black stopper. With your thumb and forefinger, push the stopper upwards and raise or lower the pole height.

On a Mobile Stand

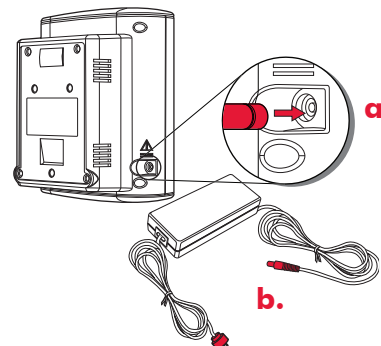
1c.



Assemble the mobile stand according to the manufacturer's directions. Using the three thumb screws, secure the rear panel of the BP device to the stand.

Connecting Power

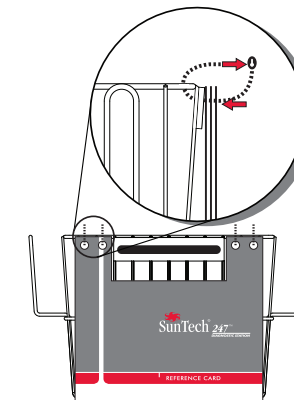
4



a. Connect the power supply to the BP module.
 b. Connect the power supply to an AC main power source. The device will turn on automatically. Before using the device, fully charge the battery for eight hours.

Attaching the Quick Reference Card to the Basket

7

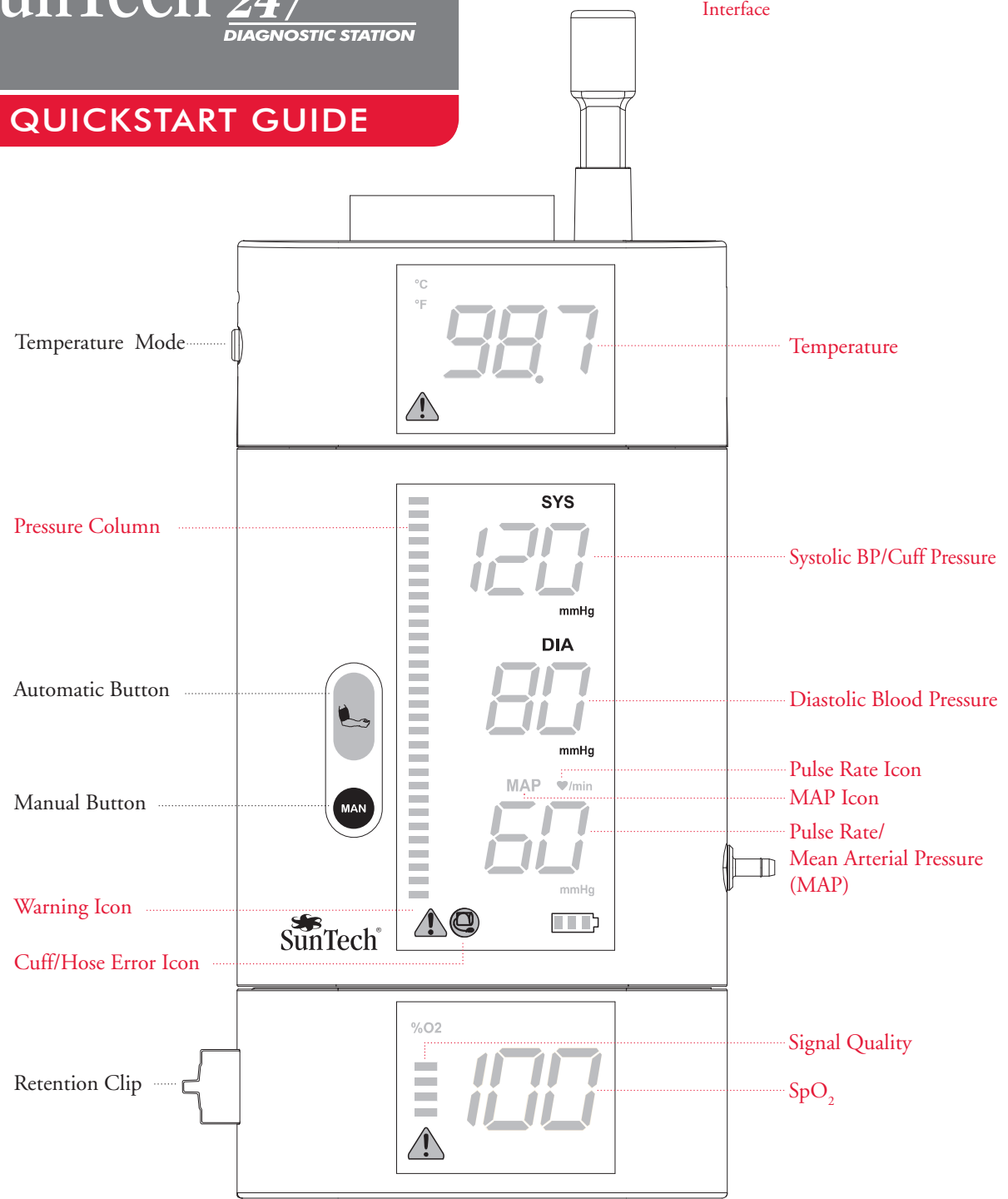


Use the four plastic ties to attach the numbered cards to the front side of the basket.

QUICKSTART GUIDE

Bird's Eye View

Key: Hardware
Interface



Temperature Mode

Pressure Column

Automatic Button

Manual Button

Warning Icon

Cuff/Hose Error Icon

Retention Clip

Temperature

Systolic BP/Cuff Pressure

Diastolic Blood Pressure

Pulse Rate Icon

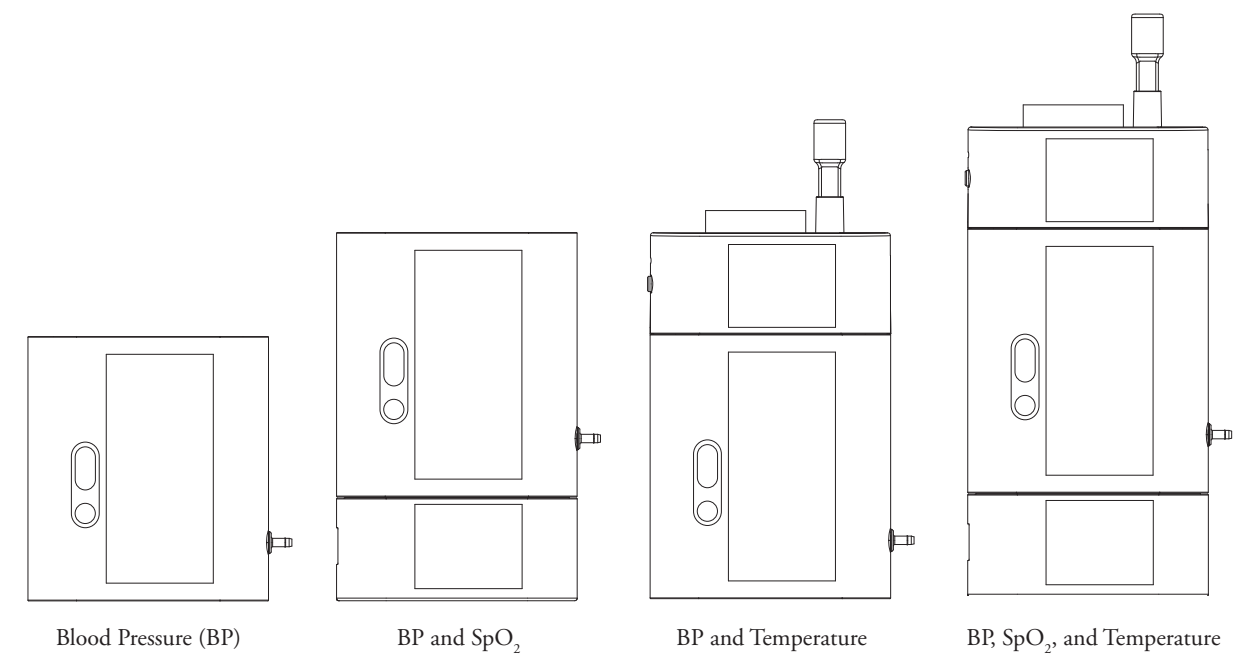
MAP Icon

Pulse Rate/
Mean Arterial Pressure
(MAP)

Signal Quality

SpO₂

Versions



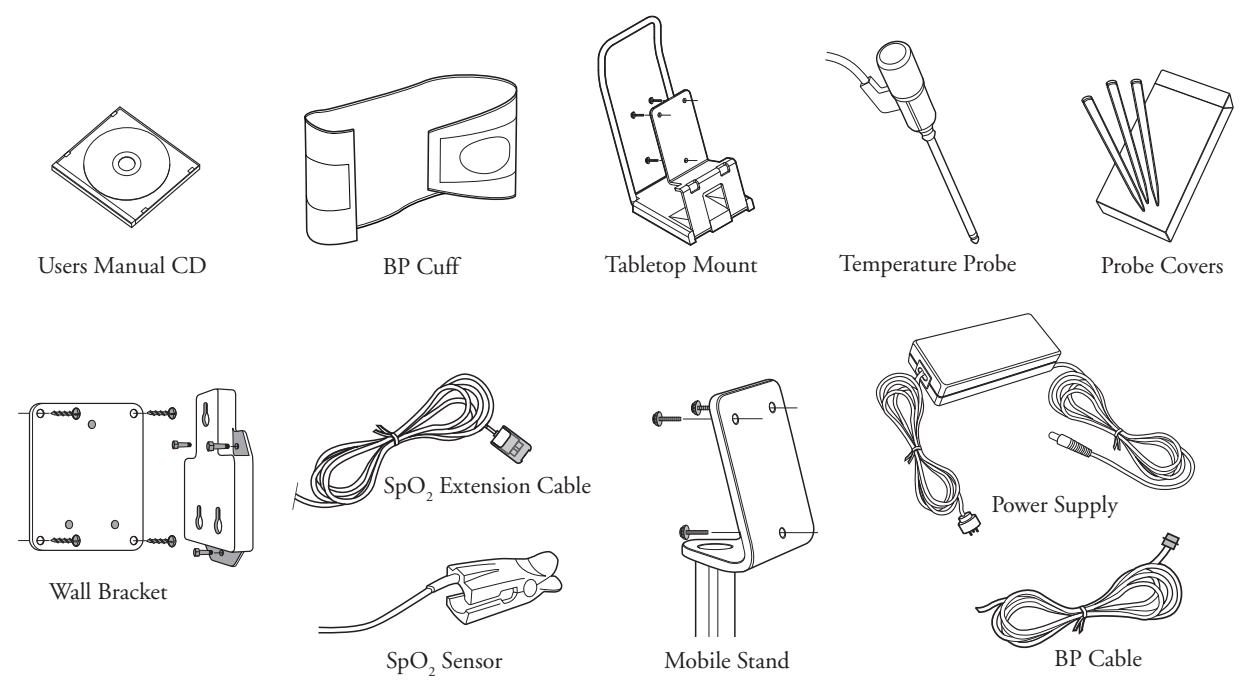
Blood Pressure (BP)

BP and SpO₂

BP and Temperature

BP, SpO₂, and Temperature

Contents & Accessories



Users Manual CD

BP Cuff

Tabletop Mount

Temperature Probe

Probe Covers

Wall Bracket

SpO₂ Extension Cable

SpO₂ Sensor

Mobile Stand

Power Supply

BP Cable